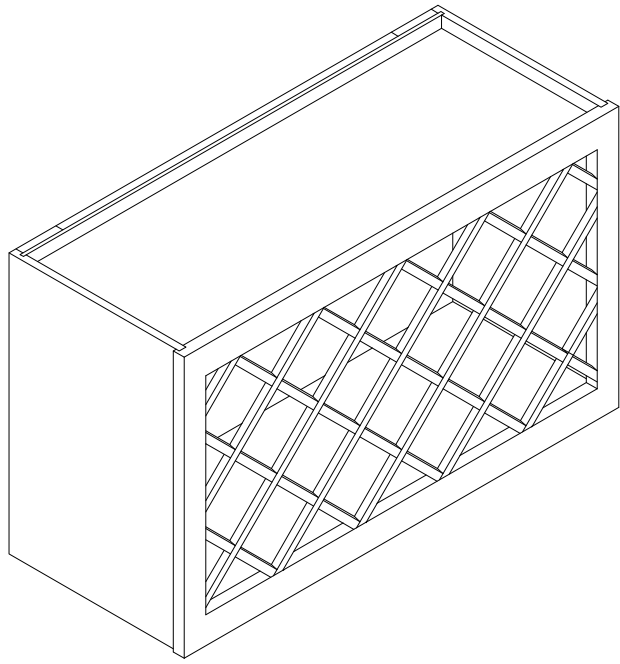


ASSEMBLY INSTRUCTIONS

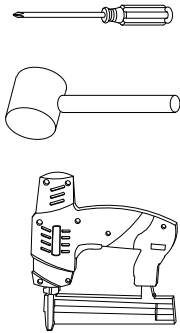
WRCC3015/WRCC3018/WRCC3618



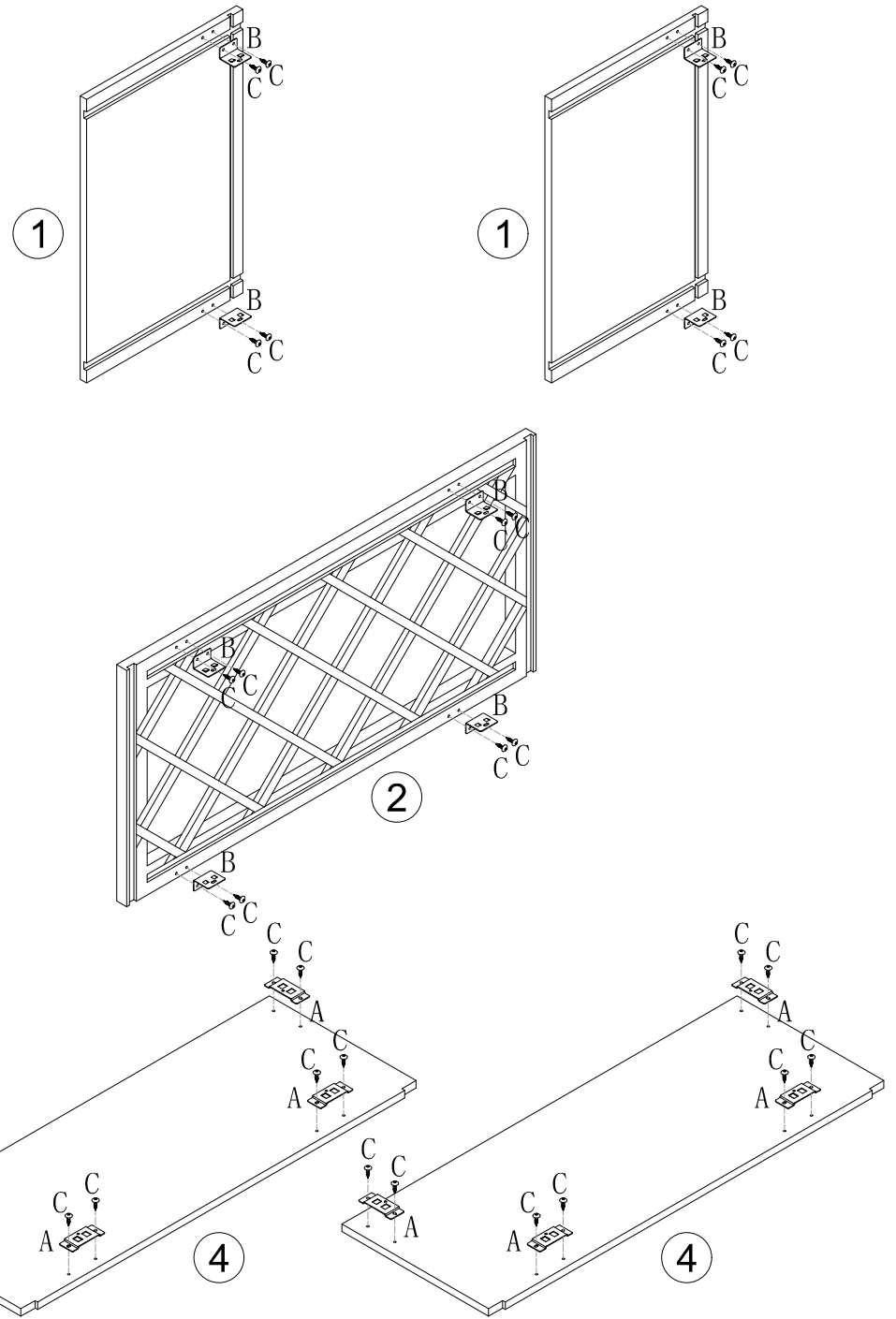
Parts list

NO.	Parts	QTY
A		8
B		8
C	(M4*0.47")	40
D	(T4*0.98")	2

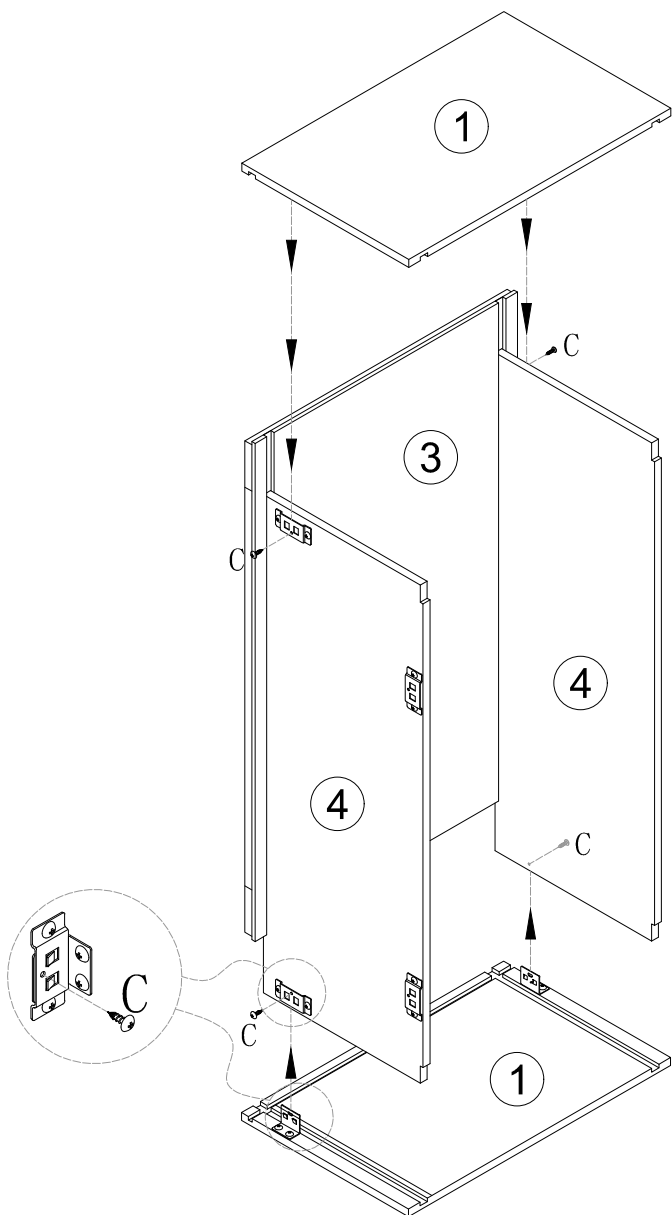
Tools (required but not provided)



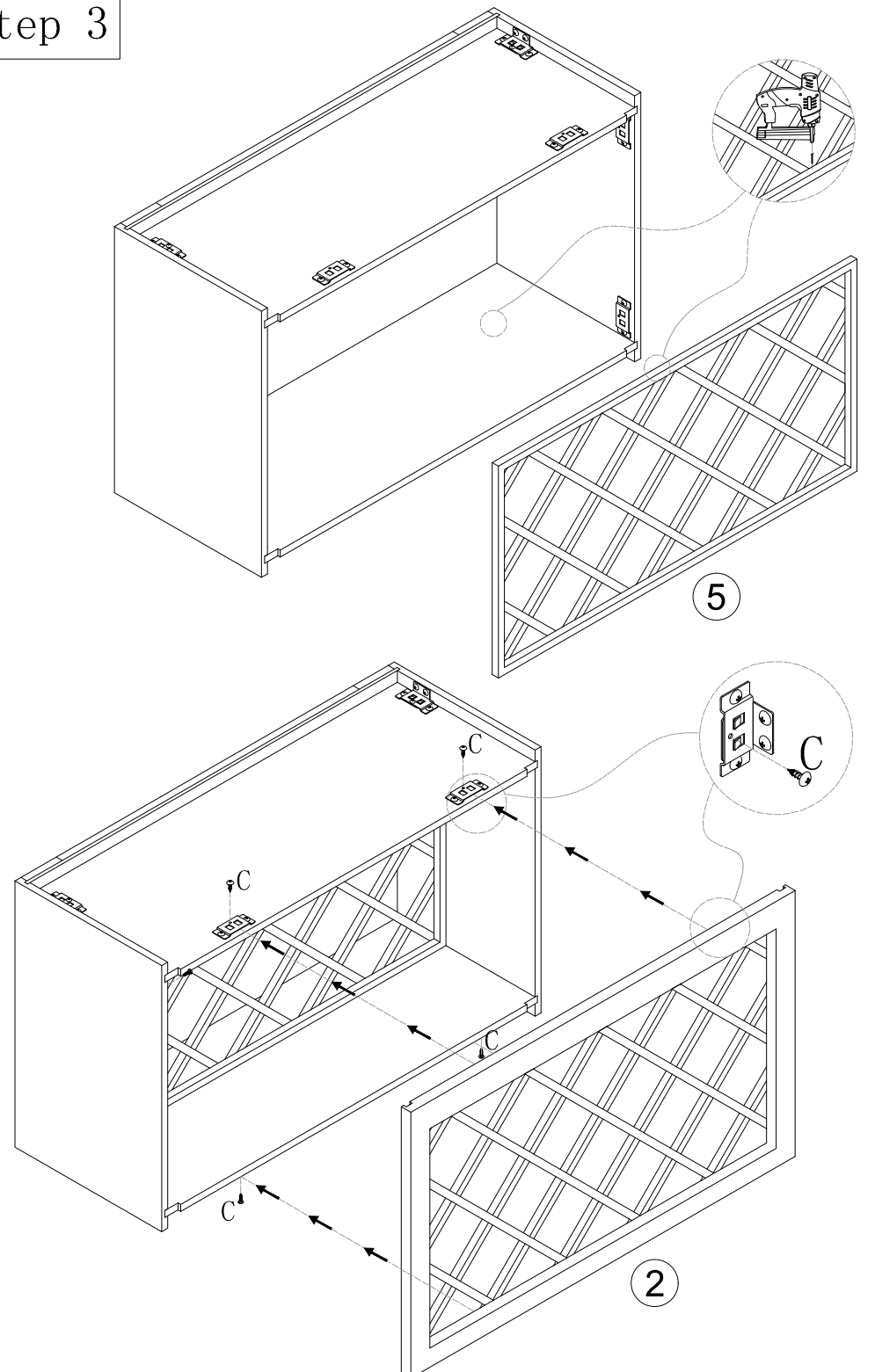
Step 1



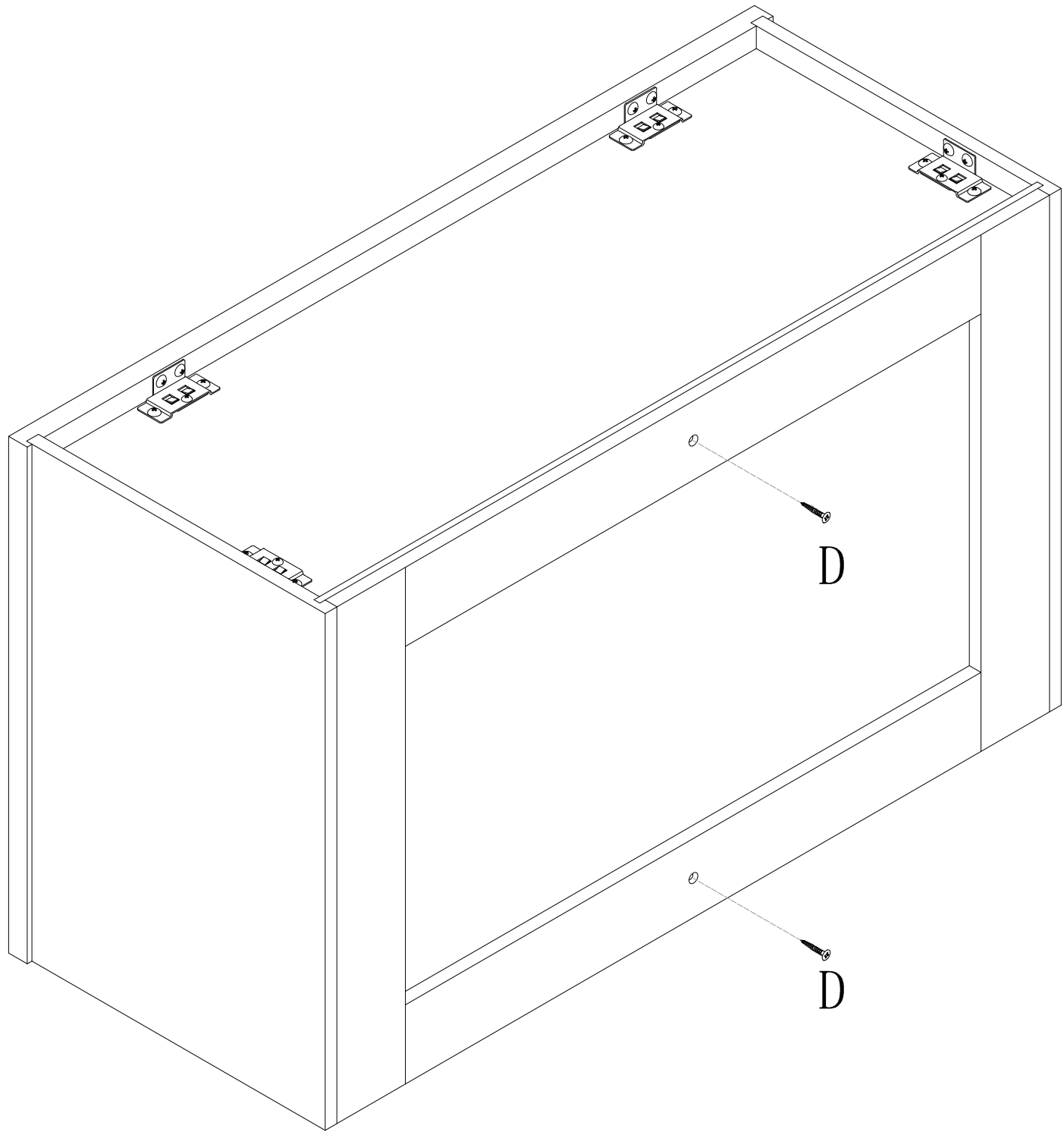
Step 2



Step 3



Step 4



Finished

